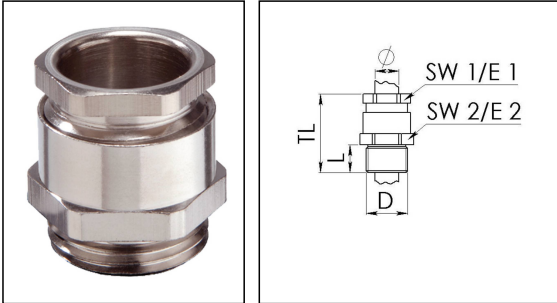


ESMKV 16

Cable gland hexagonal, brass nickel-plated, M16, with short thread



Products may differ in size, colour and appearance to those shown. If you require further information or customisation, please contact us directly.



Material cable gland	Brass nickel-plated
Material sealing gasket	Soft rubber
Temp. range min	-30 °C
Temp. range max	80 °C
Protection class	IP54
Thread type	M
Ø Connection thread D	16
Lead	1,5
Length screw-in thread L	5 mm
Ø cable diameter min	2 mm
Ø cable diameter max	10 mm
Key width SW1	16 mm
Key width SW2	18 mm
Collar diameter E1	18 mm
Collar diameter E2	20 mm
Total length TL	22 mm
Impact category	6
Surface	Nickel-plated
Order no. nickel-plated	10062871
Packing unit	100
Type	ESMKV 16
Tariff number	74198090
EAN number	4007685628716
ETIM-Classification	EC000441

Your Contact:

WISKA Hoppmann GmbH

Kisdorfer Weg 28 · 24568 Kaltenkirchen · Germany

☎ +49-4191-508-0 · 📠 +49-4191-508-209

contact@wiska.de · www.wiska.com

Recommended accessories

EMMU 16	10063142
ORD-E 16	10064698

11.02.2025

Your Contact:
WISKA Hoppmann GmbH
Kisdorfer Weg 28 · 24568 Kaltenkirchen · Germany
 +49-4191-508-0 ·  +49-4191-508-209
contact@wiska.de · www.wiska.com

