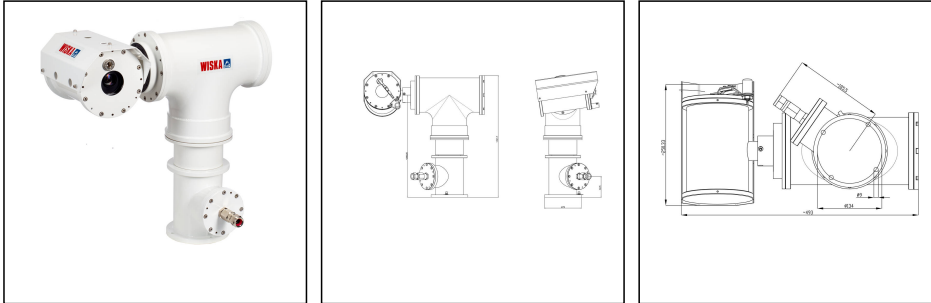


CS-EX/W/4032/JB/230/IP/P



Products may differ in size, colour and appearance to those shown. If you require further information or customisation, please contact us directly.



| | |
|---------------------|----------------------------------------|
| Type | CS-EX/W/4032/JB/230/IP/P |
| WISKA-Order no. | 10112892 |
| Material | Stainless steel |
| Surface | Powder coated |
| Colour | RAL 9016 |
| Operational areas | Explosion protection |
| Zone | 1 |
| Explosion Groups | IIC |
| Temp.-class | T6 |
| Type of protection | Ex db |
| Marking | II 2 G Ex db IIC T6 Gb |
| Approval | IECEX TUR 15.0009X, TÜV 15 ATEX 7677 X |
| Weight | 35 kg |
| Protection class | IP66, IP68 (0,2bar, 30min) |
| Temp. range min | -30 °C |
| Temp. range max | 55 °C |
| Humidity | 100 % |
| Wash&Wipe | Wipe only |
| Resolution | max. 4MP (2560x1440) |
| Image Sensor | 1/2.8" Starvis CMOS |
| Video Standard | Digital |
| Video Streaming | H.264/H.265/MJPEG |
| Zoom | Yes |
| Zoom (opt. x digi.) | 512 (opt: 32x digi: 16x) |
| Frames per Second | 30 |

Your Contact:

WISKA Hoppmann GmbH
Kisdorfer Weg 28 · 24568 Kaltenkirchen · Germany
☎ +49-4191-508-0 · 📠 +49-4191-508-209
contact@wiska.de · www.wiska.com

| | |
|-----------------------------------|----------------------------|
| Lighting Conditions | Low light |
| Min. illumination | 0,005 lx / 0,0005 lx (b/w) |
| Angle of View (horizontal) | 55.8° - 2.3° |
| Angle of View (vertical) | 31.9° - 1.3° |
| Pan/Tilt | Remote operated |
| P/T-Type | included |
| Presets P/T | Yes |
| Rotation horizontal | 330 ° |
| Rotation vertical | +20° / -80° |
| Mounting | Upside |
| Voltage | 110 V - 230 V |
| Type of Voltage | AC, 50-60Hz |
| Wattage | 60 W |
| Junction box required | Yes |
| CCTV add-on | BLC, WDR |
| Tariff number | 85258100 |

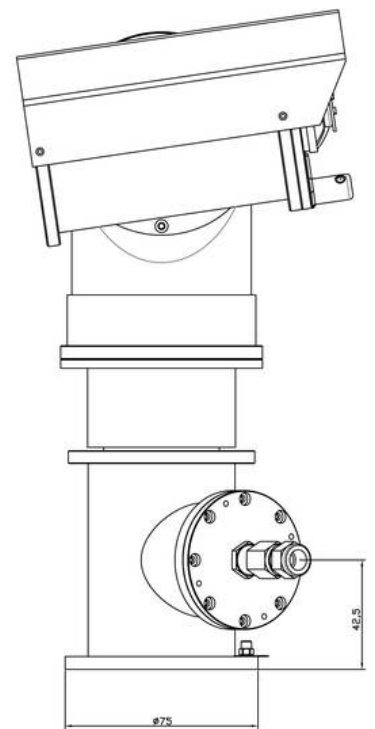
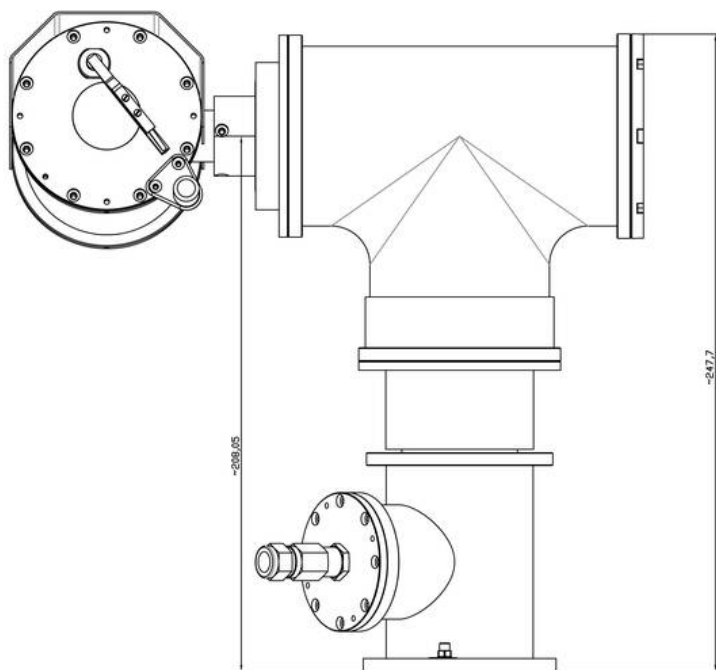
Remarks:

Flameproof PTZ network Camera Station,
 Outdoor,
 IP66, IP68 (0.2bar (op), 30min),
 stainless steel SUS316L
 Approval: TÜV IECEX
 Marking:
 II 2 G Ex db IIC T6 Gb Zone 1;
 Housing: Flameproof "d"
 Internal junction-box: Flameproof "d"
 Power supply: 230VAC
 Including:
 Cameramodule: SDZ4032, Full HD 1080p,
 32x optical zoom,
 Pan&Tilt unit with speed control
 Station including wiper
 //up-side-mounting//

22.06.2026

Your Contact:

WISKA Hoppmann GmbH
 Kisdorfer Weg 28 · 24568 Kaltenkirchen · Germany
 ☎ +49-4191-508-0 · 📠 +49-4191-508-209
 contact@wiska.de · www.wiska.com



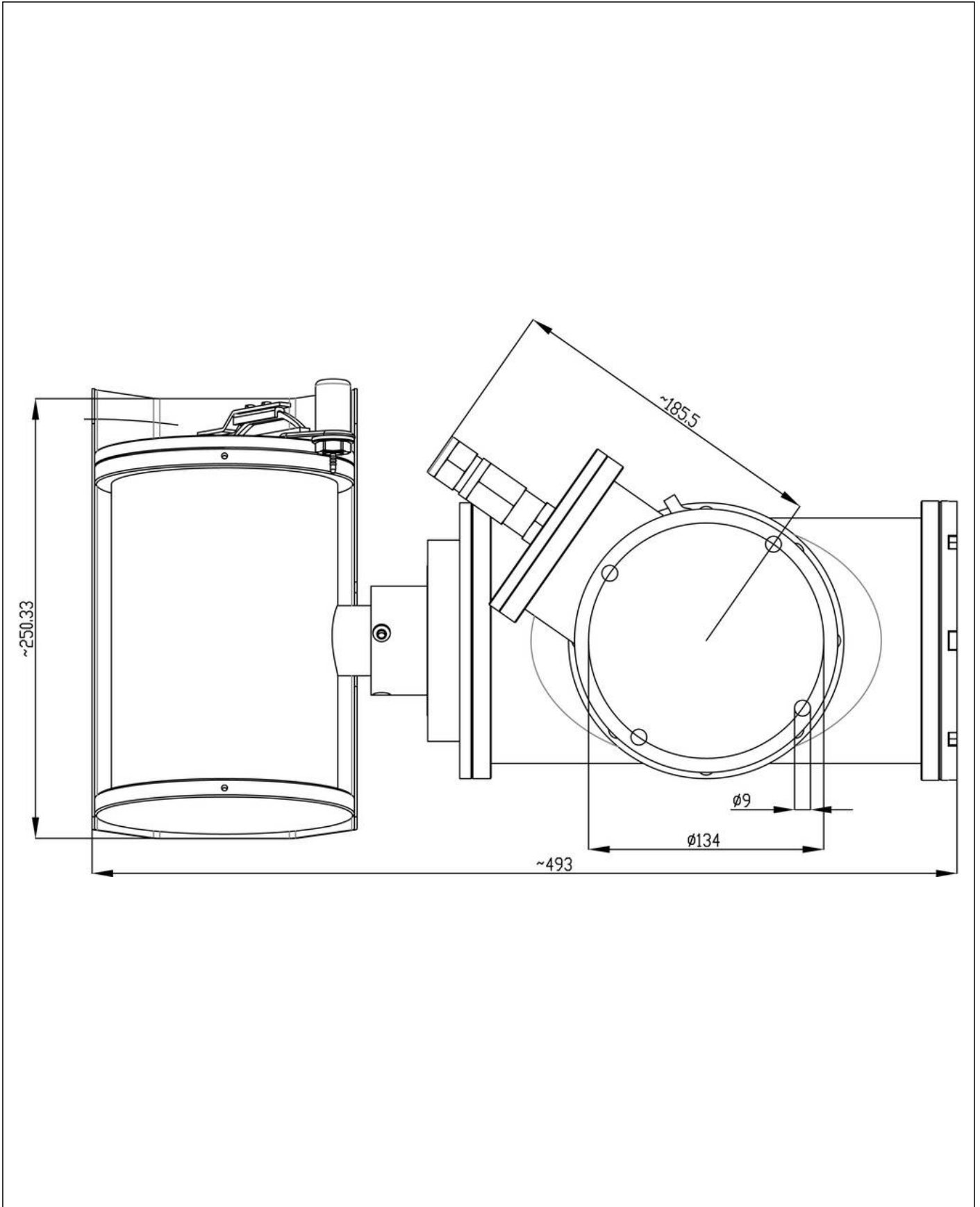
Your Contact:

WISKA Hoppmann GmbH

Kisdorfer Weg 28 · 24568 Kaltenkirchen · Germany

☎ +49-4191-508-0 · 📠 +49-4191-508-209

contact@wiska.de · www.wiska.com



Your Contact:

WISKA Hoppmann GmbH

Kisdorfer Weg 28 · 24568 Kaltenkirchen · Germany

☎ +49-4191-508-0 · 📠 +49-4191-508-209

contact@wiska.de · www.wiska.com