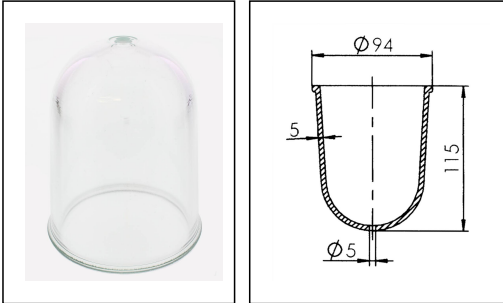


SP-1900/mT/clear

Cylindrical glass for 1131/gK, 1031



Products may differ in size, colour and appearance to those shown. If you require further information or customisation, please contact us directly.

Type	SP-1900/mT/clear
WISKA-Order no.	22000293
Packing unit	1
Material globe/diffuser	Glass
Globe colour	Clear
Equipment	with drope hole
External dimensions LxWxH	93,5x115mm
Weight	0,32 kg
Tariff number	94059190

Remarks:

Cylindrical glass globe, clear

with drop hole

Suitable for: HNA-Fixtures 1131/gK; 1031

22.05.2026

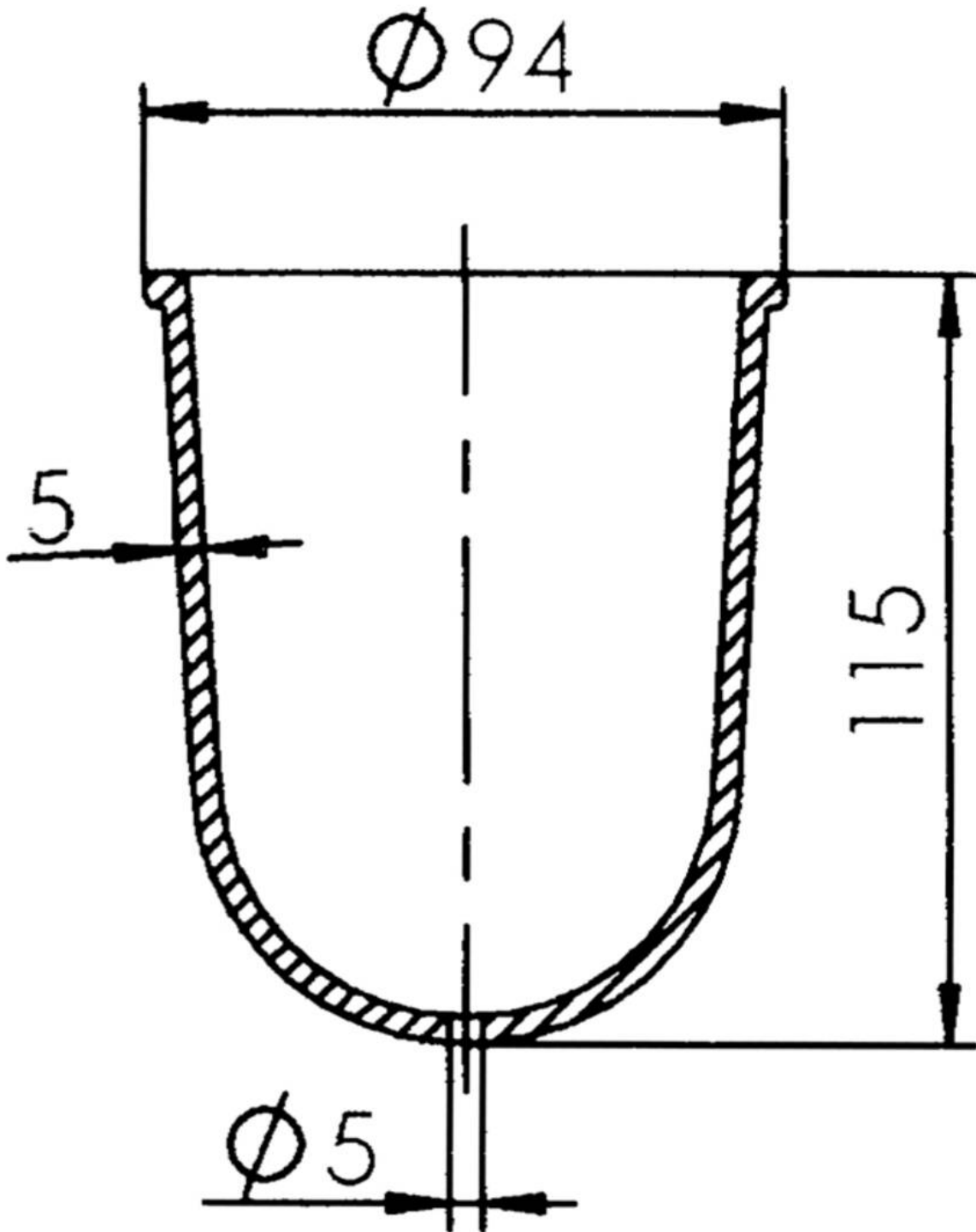
Your Contact:

WISKA Hoppmann GmbH

Kisdorfer Weg 28 · 24568 Kaltenkirchen · Germany

☎ +49-4191-508-0 · 📠 +49-4191-508-209

contact@wiska.de · www.wiska.com



Your Contact:

WISKA Hoppmann GmbH

Kisdorfer Weg 28 · 24568 Kaltenkirchen · Germany

☎ +49-4191-508-0 · 📠 +49-4191-508-209

contact@wiska.de · www.wiska.com