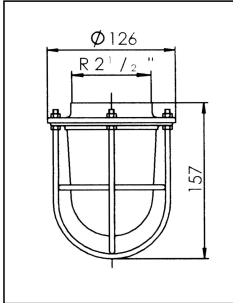


SP-1941 Flange glass globe and guard

Flange with glass and cast guard for 1031



Products may differ in size, colour and appearance to those shown. If you require further information or customisation, please contact us directly.

| | |
|--------------------------------|--------------------------------------|
| Type | SP-1941 Flange glass globe and guard |
| WISKA-Order no. | 22000309 |
| Packing unit | 1 |
| Material | Brass |
| Material guard | Brass |
| Material globe/diffuser | Glass |
| Globe colour | Clear |
| Weight | 0,89 kg |
| Tariff number | 94059190 |

Remarks:

Flange with glass globe, clear

Cast guard, brass

Suitable for: fixture 1031

22.05.2026

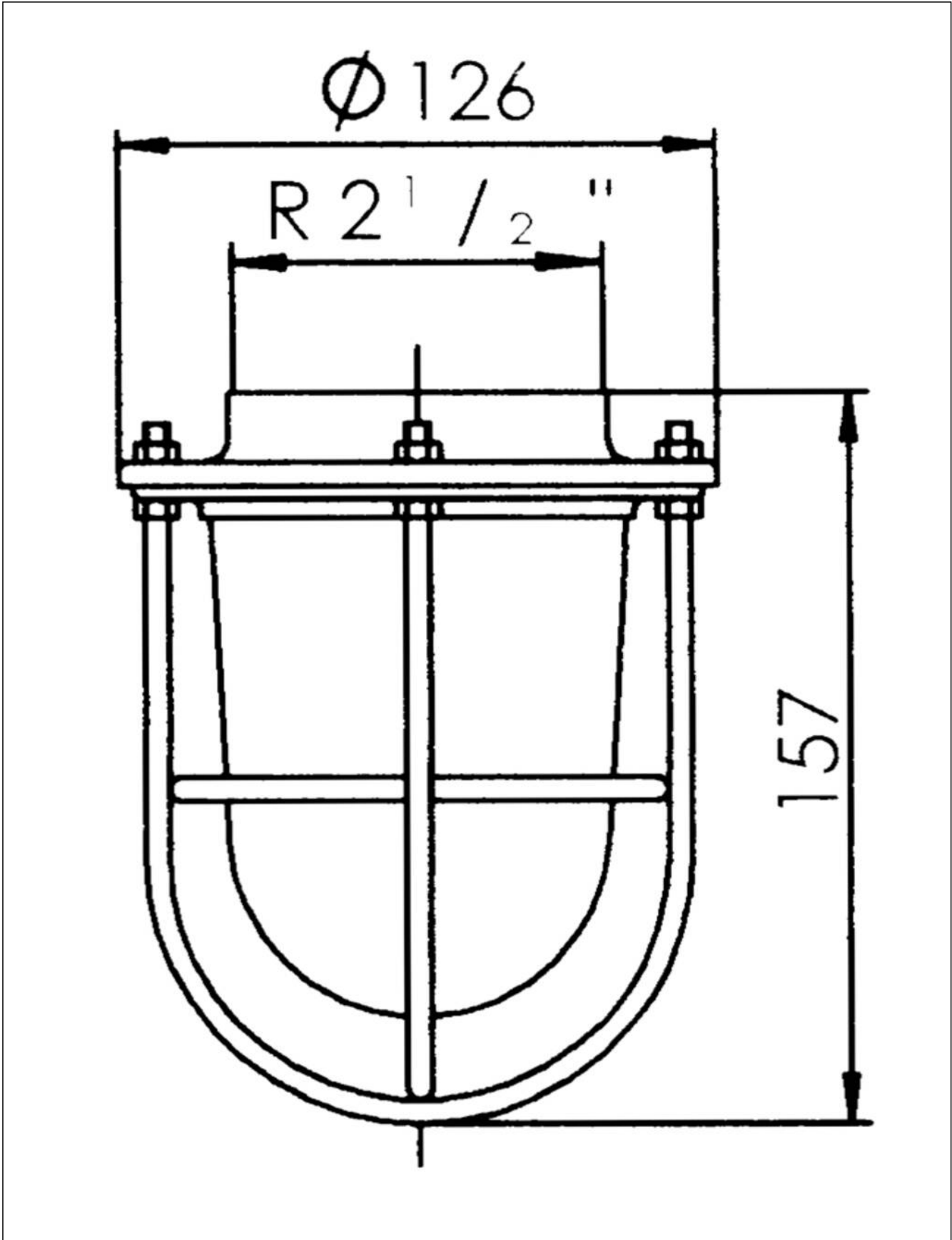
Your Contact:

WISKA Hoppmann GmbH

Kisdorfer Weg 28 · 24568 Kaltenkirchen · Germany

☎ +49-4191-508-0 · 📠 +49-4191-508-209

contact@wiska.de · www.wiska.com



Your Contact:

WISKA Hoppmann GmbH

Kisdorfer Weg 28 · 24568 Kaltenkirchen · Germany

☎ +49-4191-508-0 · 📠 +49-4191-508-209

contact@wiska.de · www.wiska.com