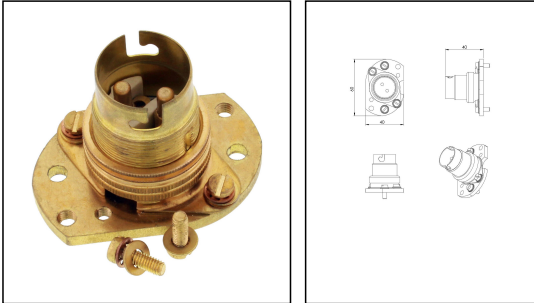


SP-1975 Lampholder B22d, HNA

2-Mounting Feed Lampholder B22d



Products may differ in size, colour and appearance to those shown. If you require further information or customisation, please contact us directly.

Type	SP-1975 Lampholder B22d, HNA
WISKA-Order no.	22001038
Packing unit	1
Lampholder	B22d
Material	Brass
Temp. range min	-25 °C
Temp. range max	45 °C
Weight	0,04 kg
Tariff number	85366110

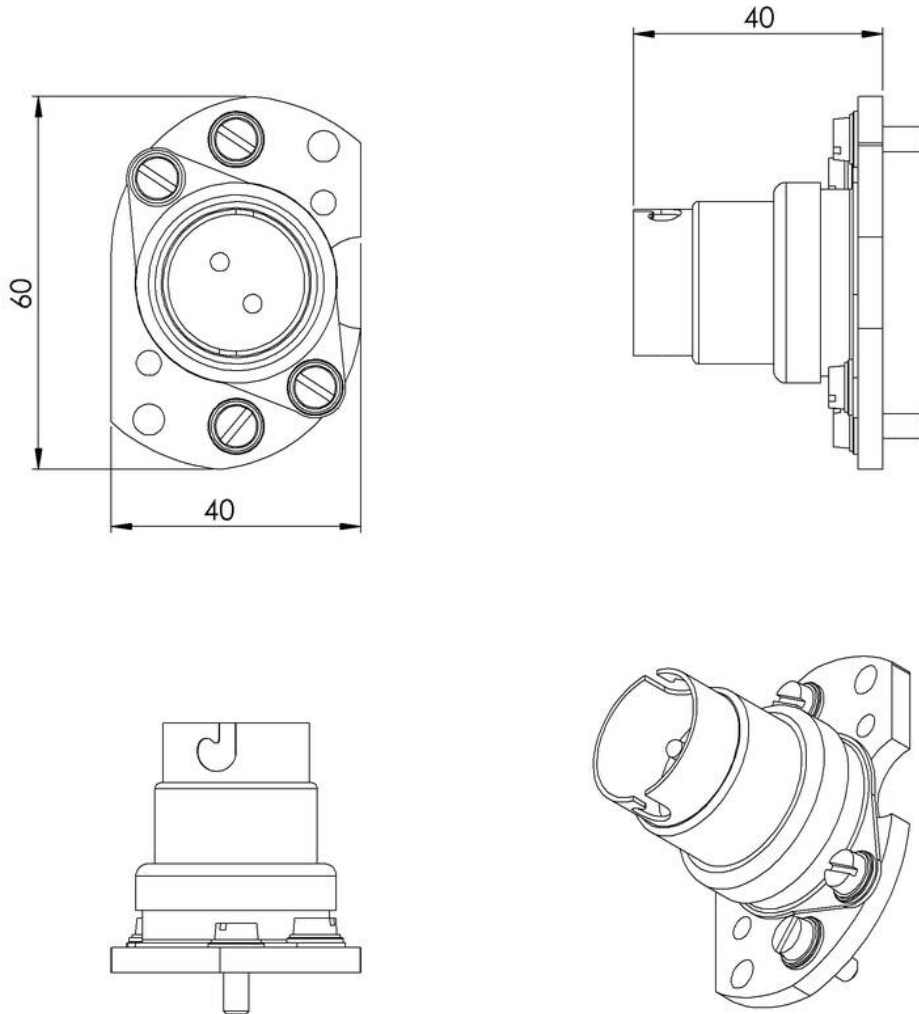
Remarks:

Material: Brass
 Rated value: 250V/4A
 ceramic insert
 with two mounting feet
 with suitable adapter, brass
 and mounting kit
 suitable for: 1131, 1026 and 533

23.05.2026

Your Contact:

WISKA Hoppmann GmbH
 Kisdorfer Weg 28 · 24568 Kaltenkirchen · Germany
 ☎ +49-4191-508-0 · 📠 +49-4191-508-209
 contact@wiska.de · www.wiska.com



Your Contact:

WISKA Hoppmann GmbH

Kisdorfer Weg 28 · 24568 Kaltenkirchen · Germany

☎ +49-4191-508-0 · 📠 +49-4191-508-209

contact@wiska.de · www.wiska.com