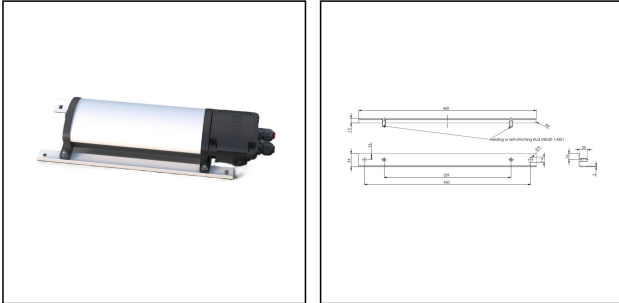


## Adapterprofile MPL 18W - 4010 8W (2 pcs)

### Adapter Profile



Products may differ in size, colour and appearance to those shown. If you require further information or customisation, please contact us directly.

<b>Type</b>	Adapterprofile MPL 18W - 4010 8W (2 pcs)
<b>WISKA-Order no.</b>	22001514
<b>Packing unit</b>	2
<b>Material</b>	Stainless steel 1.4301 (V2A)
<b>Colour</b>	White

Remarks:

Application:

For replacing a multi purpose luminaire (18W) with a 4010 (8W) from WISKA.

Two profile rails are required per luminaire.

07.07.2026

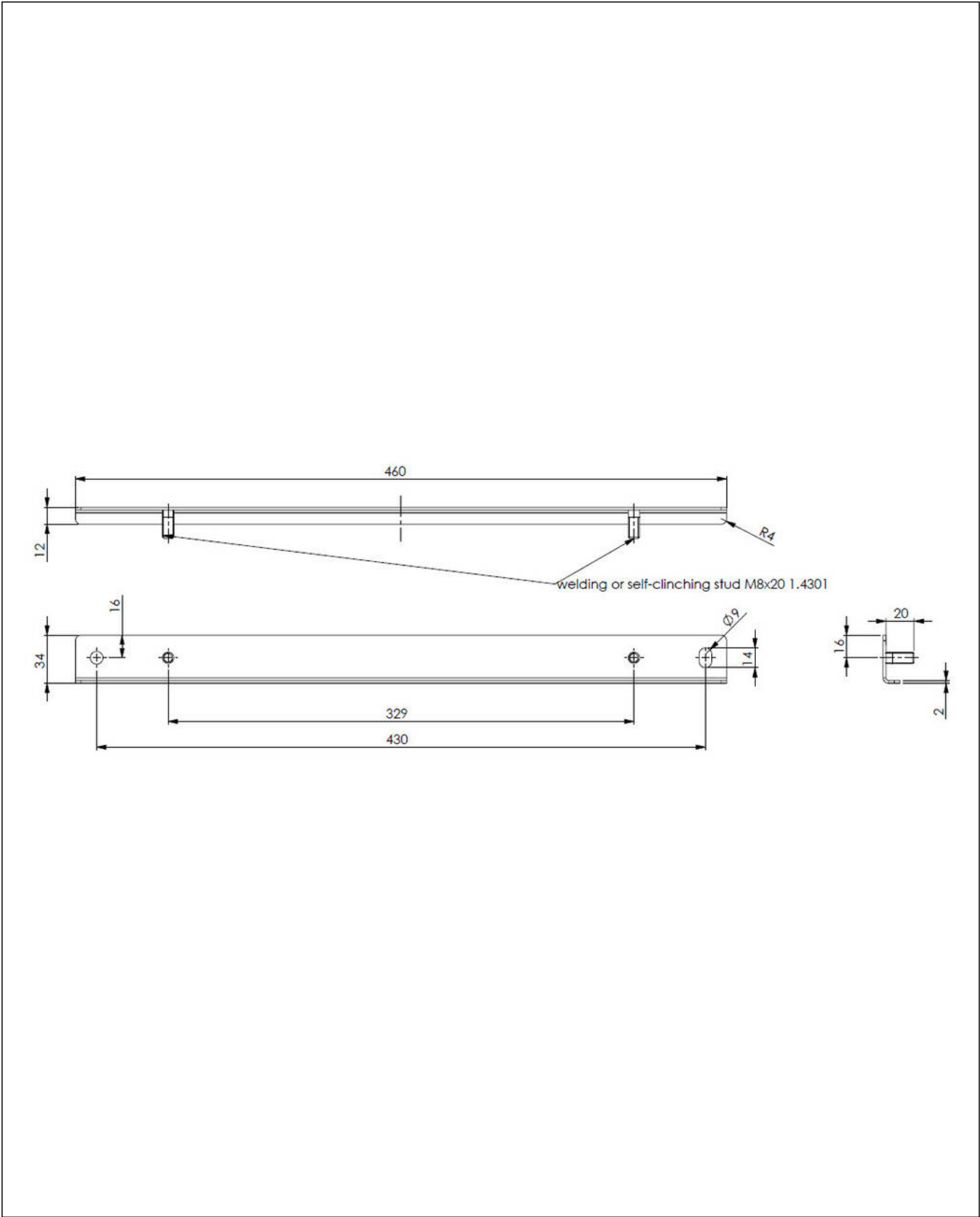
Your Contact:

**WISKA Hoppmann GmbH**

Kisdorfer Weg 28 · 24568 Kaltenkirchen · Germany

☎ +49-4191-508-0 · 📠 +49-4191-508-209

contact@wiska.de · www.wiska.com



Your Contact:

**WISKA Hoppmann GmbH**

Kisdorfer Weg 28 · 24568 Kaltenkirchen · Germany

☎ +49-4191-508-0 · 📠 +49-4191-508-209

✉ contact@wiska.de · www.wiska.com